



[www.AKCP.com](http://www.AKCP.com)

# Modbus Adapter Manual



Copyright © 2018, AKCP

## Modbus Adapter (MOD-A)

### Convert RJ45 to 3-Pin Connection

Easily convert the MOD/EXP port on sensorProbeX+ from CAT5 to 2 wire Modbus serial cable.

sensorProbeX+ comes equipped with an RS485 Modbus and Expansion port. When using this RJ45 port to connect Modbus appliances, the Modbus Adapter makes it easier to connect a 2 wire serial bus cable to the RJ45 port, converting the RJ45 connector into a 3 pin terminal block connection.

These new sensors make it easier and a more simplified way to connect to third party Modbus devices using the green Phoenix 3 pin connectors. With this adapter, you don't need to crimp the RS-485 connector and make the wiring yourself.

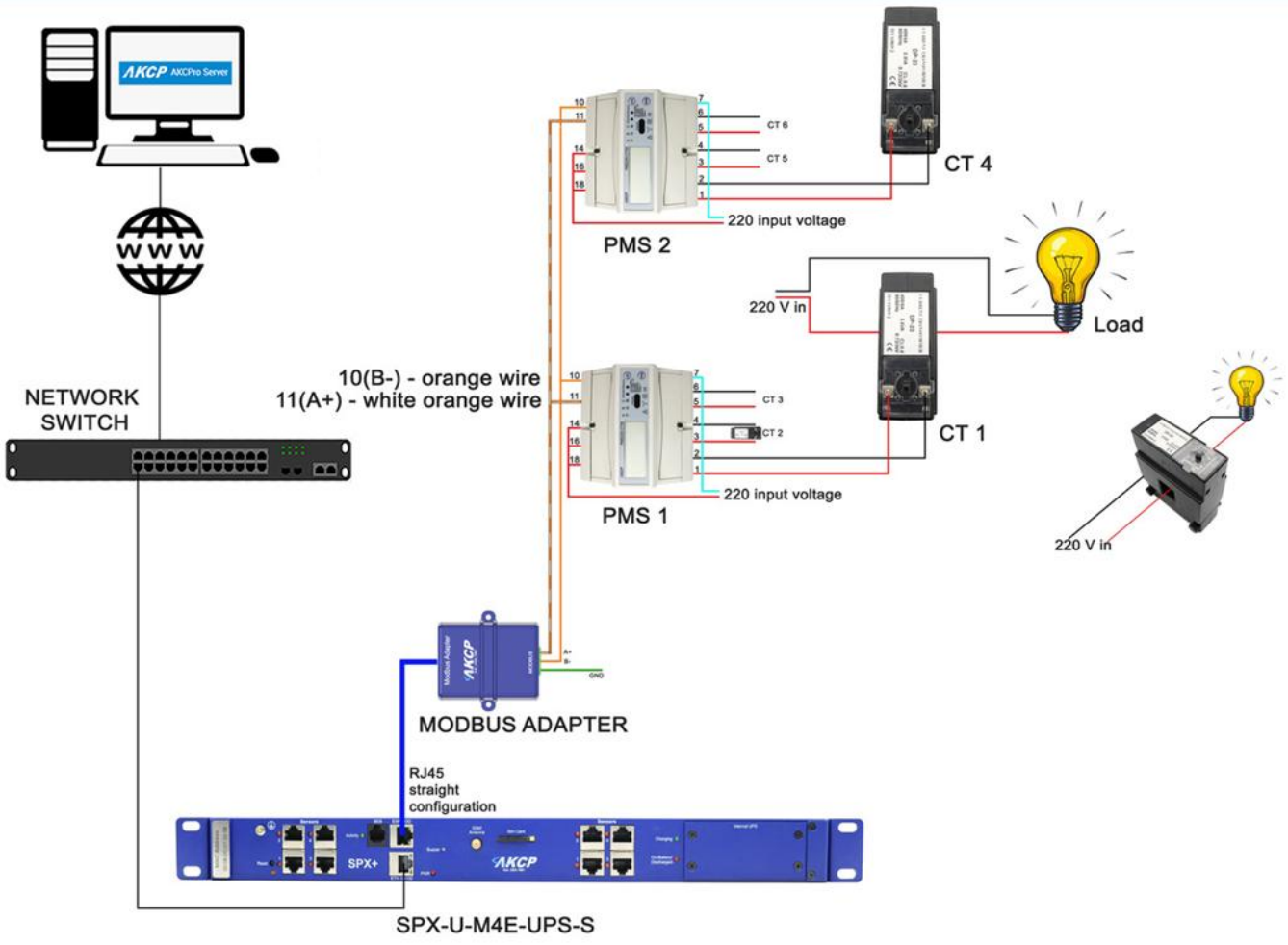
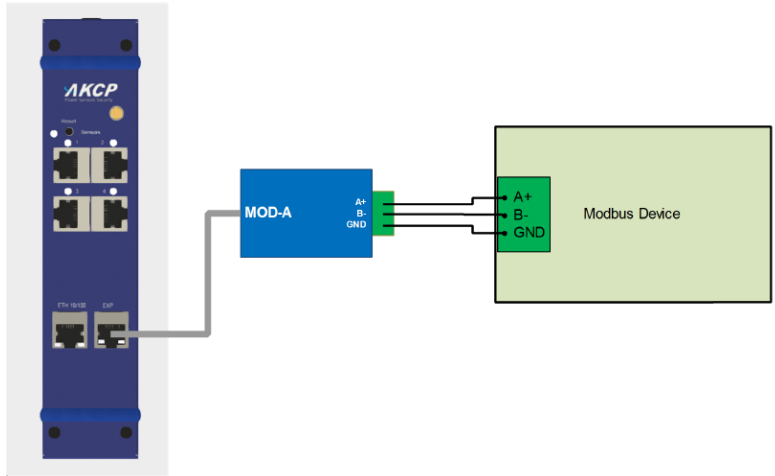
You can find additional information about configuring the Modbus features on the SP+ family in the separate Modbus manual.

**Very Important Note:** this sensor is not isolated (does not have an isolated ground), so you need to make sure it is properly grounded when connecting to third party equipment.

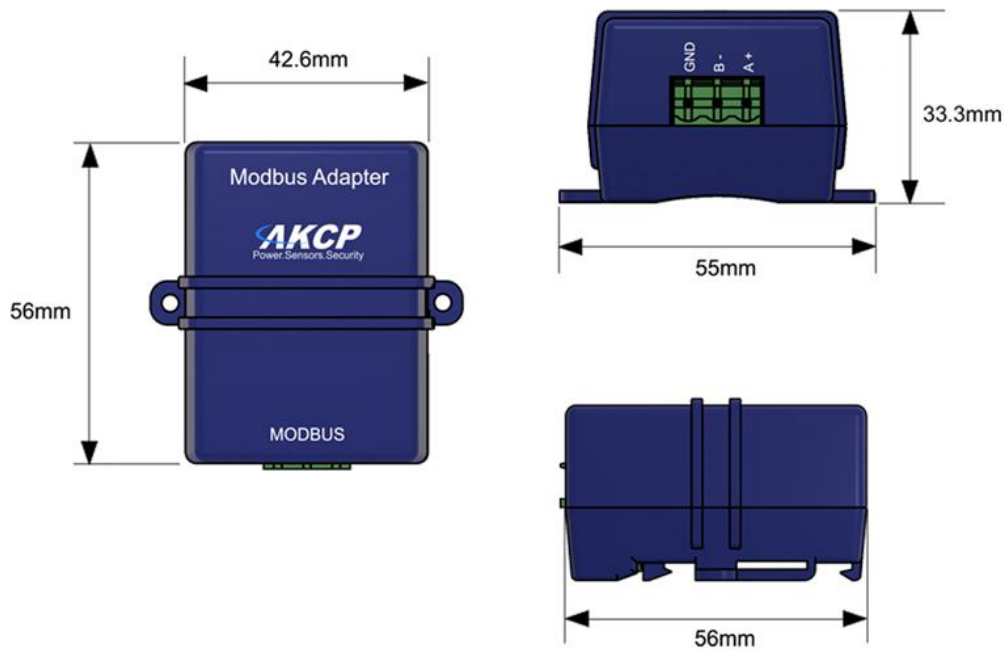
### Connection Diagram



### Wiring Diagram & Wiring Example of 2 x AKCP PMS



## Dimensions



## Output pinning of each sensor adaptor configurations

ADAPTOR TYPE		MODBUS
Switch Position		
LED ON		
Switch Functionality		
CON3 PIN	1	A+
	2	B-
	3	GND

Please contact [support@akcp.com](mailto:support@akcp.com) if you have any further technical questions or problems.

**Thanks for Choosing AKCP!**